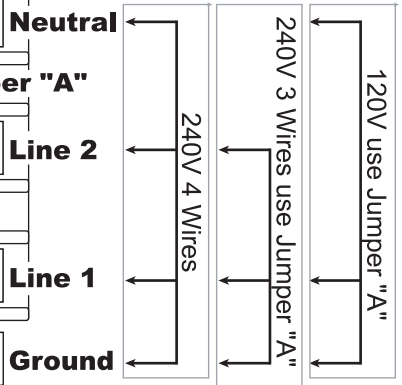
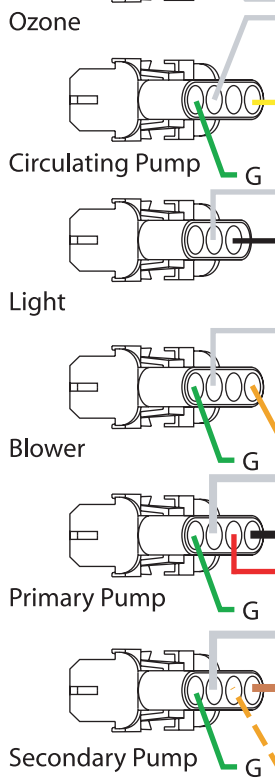


For 120V Component the Line will be connected to the Neutral Lug  
 For 240V Component the Line will be connected to the Line 2 Lug

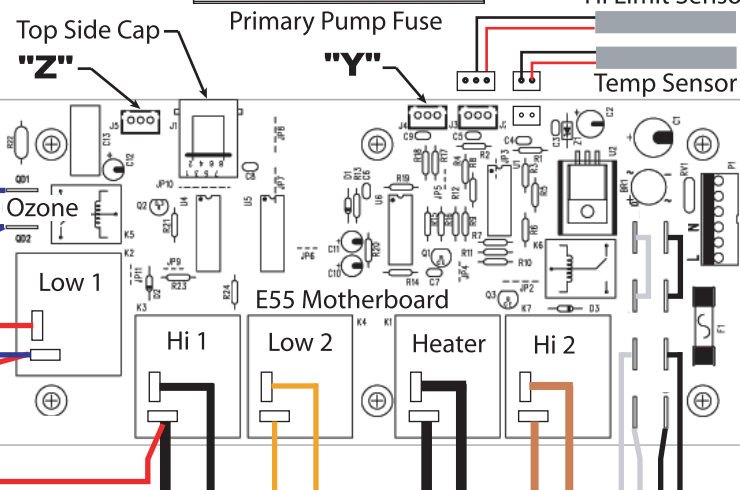
Power Terminal Block



**Note:** Make sure Transformer is 240V



This Wire is for Low Speed Secondary Pump  
**Note:** Available only for units without an Air Blower



4KW Heater ( Replacement Element 4KW part# HE102 )

To Connector "Y"  
 To Connector "Z"