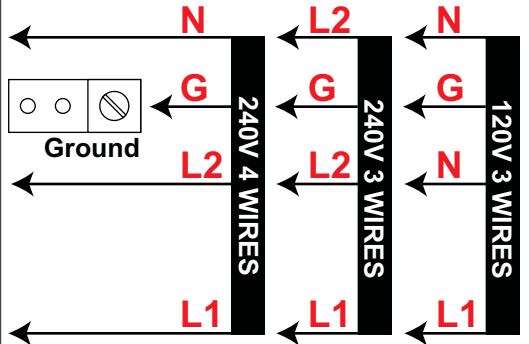
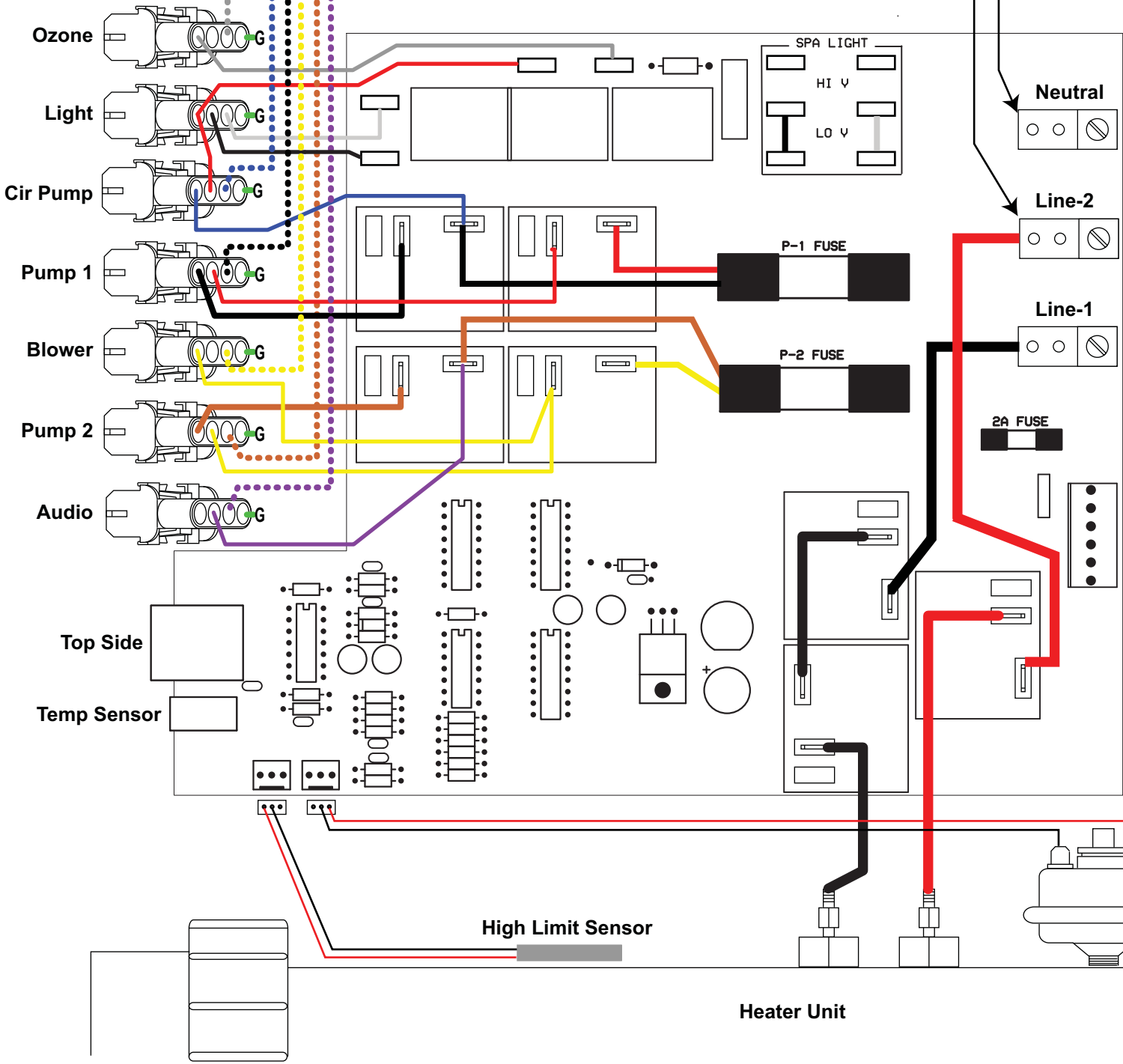
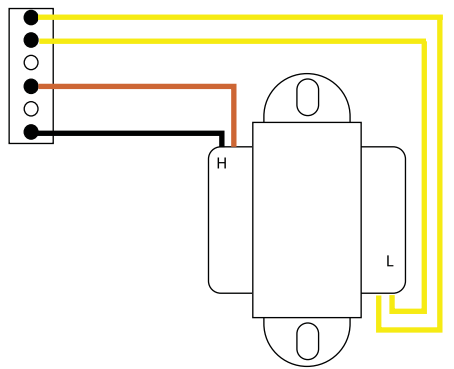


If the Component is 120V Connect it's Common Line to the Neutral Lug
 If the Component is 240V Connect it's Common Line to the Line-2 Lug

NOTE:
 To convert to 120V system, the 240V transformer will need to be swapped with its 120V equivalent.



USE COPPER CONDUCTORS ONLY
 EMPLOYER UNIQUEMENT DES CONDUCTEURS DE CUIVRE



2A Light Transformer

Pressure Switch

Heater Unit